

# State of Wyoming Corner Record

(In compliance with the CORNER PERPETUATION AND FILING ACT, Wyoming Statutes, 1997 Section 33-29-140 et. seq., and the Rules and Regulations of the Board of Professional Engineers and Professional Land Surveyors)

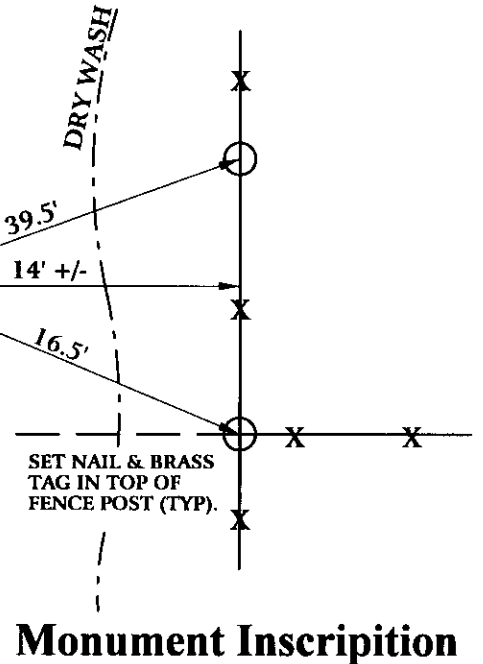
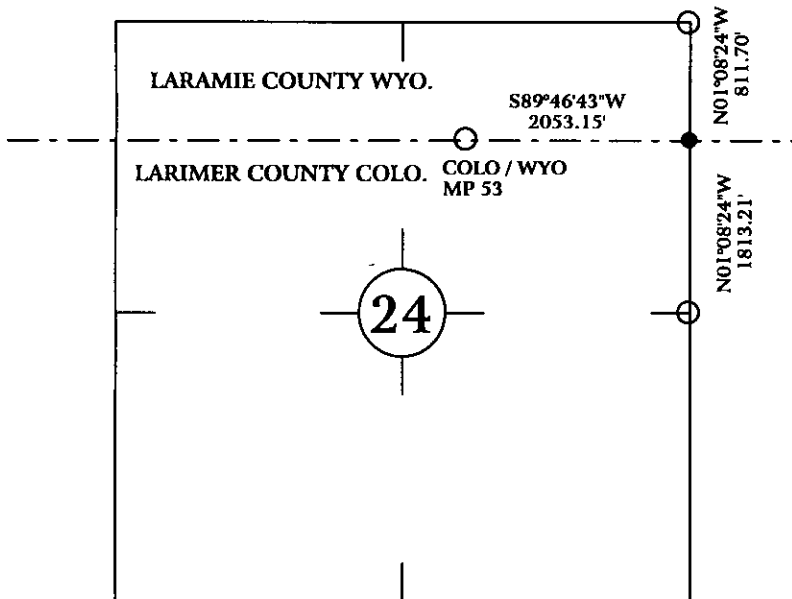
Reverse side of this form may be used if more space is needed.

Record of original survey and citation of source of historical information (if corner is lost or obliterated). Description of corner monumentation evidence found and/or monument and accessories established to perpetuate the location of this corner. Sketch of relative location of monument, accessories, and reference points with course and distance to adjacent corner(s) (if determined in this survey). Method and rationale for reestablishment of lost or obliterated corner.

ORIGINAL CALL FOR 20" X 16" X 8" SANDSTONE 15" DEEP W/ 6 NOTCHES ON EAST FACE, 6 NOTCHES ON WEST FACE, & CC ON NORTH FACE.

NO EVIDENCE OF CORNER FOUND, SET 3/4" X 30" REBAR WITH 3 1/4" ALUMINUM CAP WYO. P.L.S. 6099, COLO. P.L.S. 23519 AT INTERSECTION OF SECTION LINE & STATE LINE, AND SET TIES AS SHOWN BELOW.

## Monument location



Date of Field Work: May 26, 2005

Office Reference: GALLEGOS05.pro

3 1/4" ALUMINUM CAP  
ON 3/4" X 30" REBAR.

## Cross Index Plat

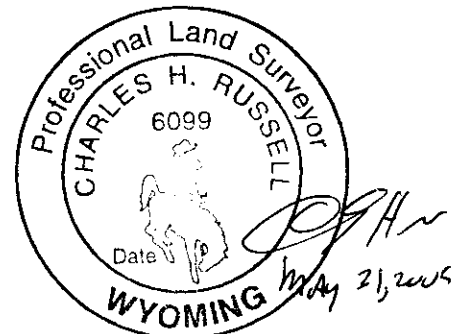
	1	2	3	4	5	6	7	8	9	10	11	12	13	14	15	16	17	18	19	20	21	22	23	24	25	
A																										
B																										
C		6	5	4	3	2	1																			
D																										
E																										
F																										
G		7	8	9	10	11	12																			
H																										
J																										
K																										
L		18	17	16	15	14	13																			
M																										
N																										
O																										
P		19	20	21	22	23	24																			
Q																										
R																										
S																										
T		30	29	28	27	26	25																			
U																										
V																										
W																										
X		31	32	33	34	35	36																			
Y																										
Z																										
	1	2	3	4	5	6	7	8	9	10	11	12	13	14	15	16	17	18	19	20	21	22	23	24	25	

Firm/Agency, Address  
CHARLES H. RUSSELL P.L.S. 6099  
AMERICAN WEST LAND SURVEYING CO.  
29 SOUTH 4TH AVENUE  
BRIGHTON, CO 80601

Telephone Number:  
303-659-1532

This corner record was prepared  
by me or under my direction  
and supervision.

SEAL & SIGNATURE



RECORDED 6/22/2005 AT 12:34 PM REC# 420188 BK# 1888 PG# 1058  
DEBRA K. LATHROP, CLERK OF LARAMIE COUNTY, WY PAGE 1 OF 1

Corner Name: Closing Corner to Section 19, T 12 N, R 68 W, 6th P.M.  
& Section 24, T 12 N, R 69 W, 6th P.M.

Cross-Index No.: N.9-25

County: Laramie Wyoming

SBRPEPLS/PLSW: March 1994; PLSW January 1998